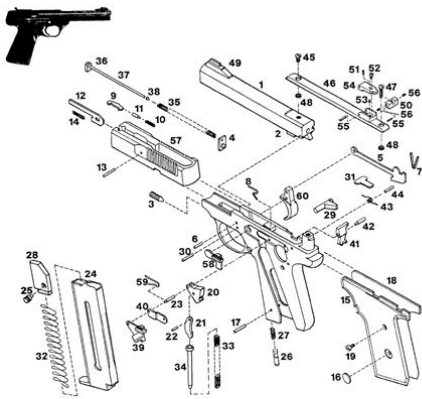


Browning buckmark parts manual



- | | | |
|-----------------------------|--------------------------------------|----------------------------------|
| 1 Barrel Assembly | 25 Magazine Button | 48 Sight Base Screw-Lock Washer |
| 2 Barrel Block | 26 Magazine Ejector | 49 Sight, Front |
| 3 Barrel Mounting Screw | 27 Magazine Ejector Spring | 50 Rear Sight Blade |
| 4 Bolt | 28 Magazine Follower | 51 Rear Sight Detent Pin |
| 5 Disconnector | 29 Magazine Latch | 52 Rear Sight Elevation Screw |
| 6 Disconnector Pin | 30 Magazine Latch Pin and | 53 Rear Sight Elevation Spring |
| 7 Disconnector Spring | 31 Trigger Pin | 54 Rear Sight Leaf |
| 8 Ejector | 32 Magazine Latch Spring | 55 Rear Sight Leaf/Friction Pin |
| 9 Extractor | 33 Magazine Spring | 56 Rear Sight Windage Screw |
| 10 Extractor Spring | 34 Mainspring | 57 Slide |
| 11 Extractor Spring Plunger | 35 Mainspring Plunger | 58 Stop Open Latch Assembly with |
| 12 Firing Pin | 36 Recoil Spring | 59 Thumb Piece |
| 13 Firing Pin Retainer | 37 Recoil Spring Guide | 60 Stop Open Latch Spring |
| 14 Firing Pin Spring | 38 Recoil Spring Guide Rod | 61 Trigger |
| 15 Grip, Left | 39 Recoil Spring Guide Rod Retaining | |
| 16 Grip, Right | 40 Ring | Parts Not Shown |
| 17 Grip Screw | 41 Safety Assembly with | Recoil Spring Guide Assembly |
| 18 Hammer | 42 Thumb Piece | Sight Blade |
| 19 Hammer Link | 43 Safety Click Plate | Sight Blade Screw |
| 20 Hammer Link Pin | 44 Seal | Sight Elevation Screw |
| 21 Hammer Pin | 45 Seal Pin | Sight Rear Assembly Complete |
| 22 Magazine Body | 46 Seal Spring | Sight Front Pin |
| | 47 Sight Base Screw, Front | Sight Front Screw |
| | 48 Sight Base, Rear | Sight Leaf |
| | 49 Sight Base Screw, Rear | Sight Rivet |

File Name: Browning buckmark parts manual.pdf

Size: 4193 KB

Type: PDF, ePub, eBook

Category: Book

Uploaded: 10 May 2019, 14:25 PM

Rating: 4.6/5 from 623 votes.

Download Now!

Please check the box below to proceed.



I'm not a robot



reCAPTCHA
Privacy - Terms

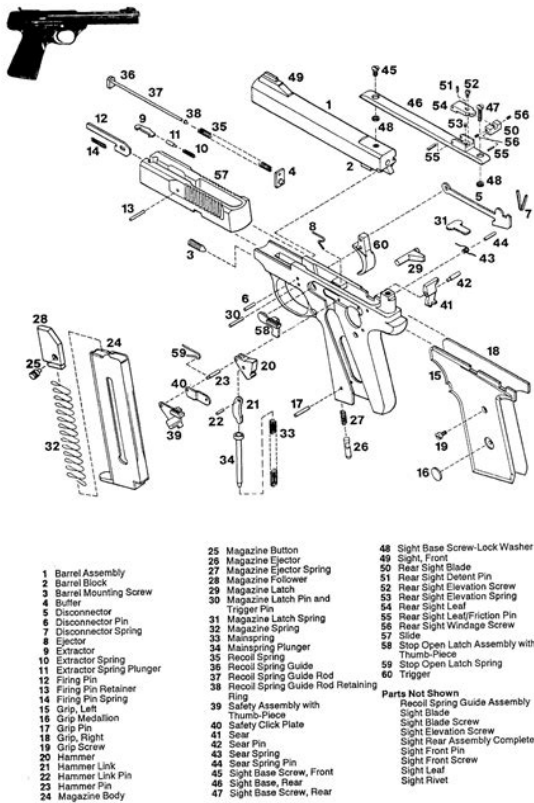
Book Descriptions:

Browning buckmark parts manual

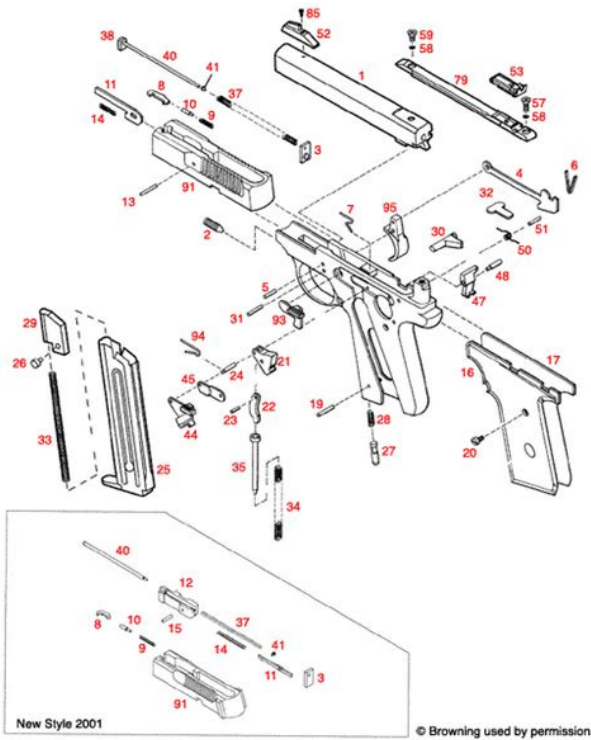


We have a wide selection of Browning Buckmark parts and the schematic to help along the way. Please contact Customer Service. Cannot be shipped to NYC. Cannot be shipped to NYC. Website by Hudson. Click on any part number highlighted in RED to view specific details or to purchase online. It is recommended that all parts be fit by a qualified gunsmith. Not all parts that are available for online purchase are shown on the schematic. Please scroll down for a complete list of all parts available. To make the shopping experience with Brownells better, we have a number of representatives in Europe. These representatives will help ease the extensive licensing and shipping complications associated with purchasing products from our U.S. website. Rest assured, you will still benefit from our vast product selection and industryleading customer service. For a listing of our Brownells Europe representatives, Visit Brownells Europe. To make the shopping experience with Brownells better, we have a number of representatives in Europe. These representatives will help ease the extensive licensing and shipping complications associated with purchasing products from our U.S. website. Rest assured, you will still benefit from our vast product selection and industryleading customer service. For a listing of our Brownells Europe representatives, Visit Brownells Europe. They also resell some Volquartzen and TacSol stuff. They also make a grip sleeve with finger grooves size large that fits over Buckmark UFX grips These currently cover disassembly from a whole gun to removing the mainspring, and then reassembling it back to a whole gun. Within the relevant steps there are photographs of each part. Most of the parts photos show the part next to a ruler for size, and contain a slip of paper showing the part number and part name from the 2013 Buckmark Parts List on the Browning website. <http://debschoen.com/userfiles/danby-diplomat-dehumidifier-manual.xml>

- **browning buckmark parts manual, browning buckmark parts manual, browning buckmark parts manual download, browning buckmark parts manual for sale, browning buckmark parts manual instructions, browning buckmark parts manual free, browning buckmark parts manual diagram, browning buckmark parts manual online, browning buckmark parts manual 2017, browning buckmark parts manual parts, browning buckmark parts manual.**



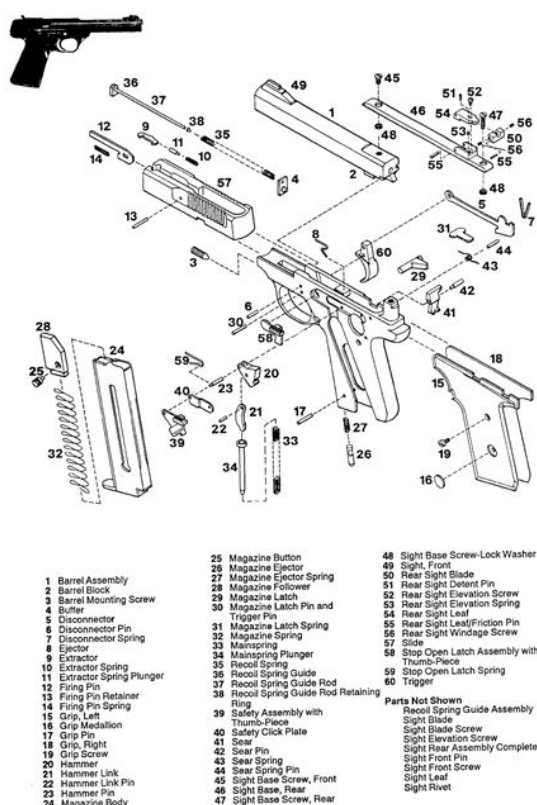
A third labeled photo at the top of each page shows the internal mechanism of the Buckmark, mounted on the outside of the frame. This shows the relationship of the sear, hammer, sear spring, hammer link, mainspring plunger, and mainspring. You can click any thumbnail to see the fullsize image. People report that the plastic sights that used to come on some Camper models are easily broken. After about 25 years, the springs will take a set, and may need to be replaced to keep everything in tiptop shape, most notably the recoil spring, disconnector spring, sear spring, firing pin spring, and mainspring. There are also some small parts that are easily lost when disassembling a Buckmark, most notably the tiny clip that goes on the recoil spring guide rod, sight base screws, sight base screw washers, extractor plunger, and extractor plunger spring. One piece that people sometimes mangle when disassembling is the barrel screw. Looking at what parts are sold out on Numrich backs all this up. That buffer is the only part I've actually had fail for me. Note that there are 2 different types of firing pins pre-2000 and 2000-present. His website includes photos, and a nice video showing how to use the tool to disassemble a Buckmark. I ordered mine in October 2015 by sending him an email. It's like a Buckmark pistol with a longer barrel, fore grip, and shoulder stock. They share a lot of parts with the pistols, so parts of this page are useful for the rifles, but I'm mostly interested in the pistols. The rifles have URX grip frames. But basically, look at the serial number. But note that there are as of 2016 only 3 different grip frames the metal part of the gun, under the grip panels. The grip style is often part of the model name, but not always. The problem is, the grip style is an important factor when choosing which Buckmark model to get, and Browning doesn't explain the differences on their website. <http://epilia.com/upload/FCKEditor/danby-diplomat-fridge-manual.xml>



It is important to make this decision before you buy your Buckmark, because you can change your grip panels, but you can't change your grip frame. If you want more details and pictures, check out this grip frame thread on Rimfire Central. But here's the short version: Most aftermarket Buckmark grips fit this grip frame only, because for a long time, it was the only Buckmark grip frame. The standard grip panels are the shaped wooden grips with separate left and right panels, that you usually see on the Hunter and Field models. The UFX grip panels have colored rubber inserts set into the grips. So they have different grip panels attached to them, but they share the same grip frame. As a result, grip panels are interchangeable between standard and UFX models. Because this frame is the largest, people with large hands typically prefer it. The new Buckmark Challenge Rosewood model is an example of the URX grip frame without wraparound grips, so you can really see the URX grip frame on that model and, since it does not have wraparound grips, it will fit very small hands. As such, only UDX-specific grips will fit nicely on a UDX frame. Otherwise, go to a store that has a selection of Buckmark pistols, and hold one of each type, and choose the one that fits your hand the best; chances are, it will be obvious when you try them side-by-side. Grip comfort matters. Which grip frame does it have. The most reliable way to tell which grip frame a given Buckmark pistol has without taking the grips off is to look at the curvature of the backstrap when viewed from the side. The backstrap is the rearmost part of the grip. If you're having a hard time seeing it, hold a straightedge ruler, piece of paper, whatever up to the screen to see which parts are straight, and which are curved. Armed with this knowledge, you can just look at a Buckmark pistol from the side, and immediately tell which grip frame it has.

Unfortunately, this is not helpful if it has wraparound grips that cover the frontstrap unless you're willing to take the grips off, of course. But, if you have a Buckmark on which you can see the frontstrap, or if you've taken the wraparound grips off. You can also see the toe at the bottom of the frontstrap on all the Buckmark Rifle pics further down in that post, indicating that they are URX grip frames, even though the backstrap curvature is lost because of where the shoulder stock attaches to the bottom of the grip frame. I was able to compare the factory original wood grips on my early 1990s-era Target 5.5 model, to the factory original wood grips on a 2015 Hunter model, side-by-side. Thanks, Ken!. They are different. On the old Target model, the left side grip's thumb rest is MUCH more pronounced. On the new Hunter, the right side grip's finger ridge is significantly more pronounced. I like my old leftside grip better, but I think I like the new rightside grip better. Hmmm.

a grip purchase may be in my future. Also note that the new Hunter grips are much shinier, and more highly polished, and, to be honest, just prettier to look at pieces of wood. I'm not sure if I'd like the more highly polished feel when actually shooting, or not, though. Both styles work in both newer and older guns yes, I've actually tried this. The advantage of the newer style is that you have something to grab onto if you want to physically pull the magazine out of the gun. The advantage of the older style is that it sits flush doesn't stick out the bottom. Either works fine for me. I've never used one myself, though. Visually, the ProMag magazines are very similar to the Browning ones. There are several differences, but the easiest way to tell is by looking where the magazine body meets the base plate. On Browning magazines, this seam is straight. On ProMag magazines this seam is a zigzag. The best photograph I've found of the ProMag magazine is at Cheaper Than Dirt.

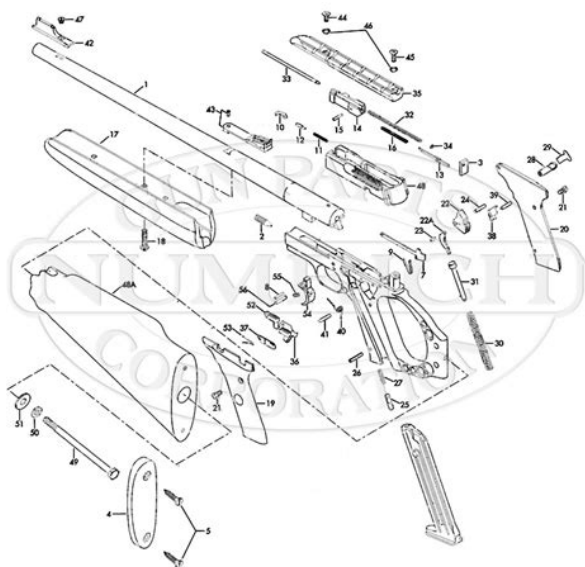


<http://www.drupalitalia.org/node/66909>

If your firing pin extends too far when fired, it may hit and thuspeen the breech face back of the barrel, This was not common in older Buckmarks pre2001, but is pretty common in newer Buckmarks. But this is definitely NOT a Buckmarkspecific issue. Why would you dry fire a gun. If you want to be a better shooter, you NEED to do dry fire practice. This is not up for debate. But there are other times when you need to or want to dry fire. Some people do it every time they put their gun away, so that springs are not compressed and parts are not under pressure while stored. Sometimes you need to do it to test the function of your gun. Sometimes it happens on accident maybe you didnt put the mag in all the way, or maybe the slide wasnt held backHere are some 22LR snap cap options, in approximate order from best to worstSo far, these are the best I've found. On some guns like the Buckmark this is a pin that goes through a hole in the firing pin itself.On some guns, the firing pin has a ledge that hits the slide. They get extracted when you rack the slide.They are made of cheap hard plastic. This is a horrible thing. The result is that there are as of 2017 two types of firing pins for Buckmarks. Intermittently, there are individuals who make small batches of them. He makes and sells pre2000 Buckmark firing pins on his website. They became available on Jan 4, 2016. I ordered some. They dont list them on their website, you have to call them. I ordered

one in Dec 2017. Most people report stock trigger pull weights in the 4 to 5.5 pound range, which is pretty typical for a factory pistol. For many uses, like plinking, introducing new shooters to the sport, and even hunting, it makes sense to leave it as is. However, many Buckmarks are used for competitions such as Bullseye and Steel Challenge, or as target guns, or, well, some people just like tinkering with their guns. So, a lot of people want their Buckmark to have a smoother pull with a lighter pull weight.

DIMALCCO.COM/images/3m-7502-respirator-manual.pdf



Obviously, taking it to a gunsmith for a trigger job is one option, but if you want to work on it yourself. When I say VERY lightly, I'm talking about 5 or fewer light very little pressure passes across a piece of 1600 or 2000 grit sandpaper placed on a piece of plate glass like from a picture frame. You can find 1600 or 2000 grit sandpaper at the auto parts store, it's used to smooth out painted surfaces. Common things to sand are top of the disconnect if you are keeping the magazine disconnect safety wire in the gun, the back of the disconnect where it touches the frame, and the hammer where the sear touches it. This wire did not exist on older Buckmarks possibly introduced around the year 2000. This wire can be seen by removing the right side grip panel. It is the long wire running from the bottom of the grip to the top, where it bends around the top of the disconnect. The purpose of this wire is to not allow the gun to fire unless there is a magazine inserted into the magazine well. Presumably, this prevents people from shooting themselves accidentally while cleaning their guns, because they forgot that they left a round in the chamber you should ALWAYS ensure the gun is empty before cleaning. Unfortunately, this mechanism also affects the trigger pull, because that magazine disconnect safety wire drags on the disconnect. So, removing the wire will improve the trigger pull. If you're not comfortable with removing it and that's fine; do not feel pressured to do this!, you can minimize the negative effect on the trigger pull with some judicious smoothing of the disconnect and maybe even the wire itself. Some people either replace the stock trigger with a Browning replacement part that has an overtravel screw in it, or they add an overtravel screw to their stock trigger, or they install an aftermarket trigger that has an overtravel screw in it.

<https://jdlgroup.ca/images/3m-740-user-manual.pdf>

<https://www.kissdocs.com.au/wp-content/plugins/formcraft/file-upload/server/content/files/1626a94c740279---computrac-moisture-analyzer-manual.pdf>

The model takes into account factors including the age of a rating, whether the ratings are from verified purchasers, and factors that establish reviewer trustworthiness. Learn how you can enable Javascript. One Time Offers have limited quantities available and usually once they are sold out, they are not offered again. Factory replacement parts are manufactured to the exact same specifications and tolerances and use the same manufacturing materials as the original parts. Notes Disassembly and assembly may be required and some parts may require installation by a qualified gunsmith. You can learn more about the cookies we use and why we use them by viewing our Privacy Policy. By continuing to use our site, you accept our use of cookies. Made with quality scans of an original. Results 1 25 of 84 Browning Model A5 12 16 20 Ga Factory Owners Instruction Browning A5 Automatic 5 Shotgun instruction manual NOT AN ORIGINAL. Parts List Auto 5 Semi Automatic Shotgun 12, 16 and 20 Gauge. 24 Oct 2014 Related Manuals for BROWNING AUTO 5 LIGHT. BROWNING A500G Owners Manual. Gas operated semiautomatic shotgun 55 pages. Removal of metal from barrels, or modification of the firing. GAS OPERATED AUTOMATIC SHOTGUN tion and movement of gun parts are described as they occur with the gun. This operation is semiautomatic; the. The owners manuals contained here are in PDF format. Note We can send you up to 1 manual per order. Please select a manual and fill out the form completely. Sorry, but we U. are. u 4500 fingerprint reader manual, Random effects poisson regression example, Motorola timeport 260 manual, Graves adc guide preseason 6, Linen services contract. Reload to refresh your session. Reload to refresh your session. Click OK to extend your time for an additional 0 minutes. You can filter the list of items shown by selecting attributes. The light and crisp trigger is gold plated to compliment the overall appearance of the pistol.

<https://localhost/travestismexico/paneldecontrol/files/compaq-presario-f500-manual-espa-ol.pdf>

The Browning Buck Mark Micro Micro Bull SemiAuto Rimfire Pistol operates on the Buck Marks simple, straight blowback action that has been proven over time to be ultrareliable. The Buck Mark uses a 10round magazine with a durable heat-treated body, and coil springs that ensure consistent pressure on the shell follower at the proper angle. Includes 2 magazines. The magazine release is conveniently positioned next to the trigger guard where it is easily reached. Comes with zip closure pistol rug. Bull barrel ProTarget front and rear sights Machined aluminum alloy frame Overmolded Ultragrip FX grips Straight blowback action 10round magazine Please note that this item ships in its own packaging, so the contents may be identified. Not all firearms are available in all locations. Check all federal, state, and local laws and restrictions before ordering any firearm. Purchaser must comply with all applicable laws for pickup. Check all federal, state, and local laws and restrictions before ordering any firearm. Please try again at a later time. Get proficient on YOUR time. That being said, I don't think I've ever talked about my absolute love for rimfire competition, and rimfire shooting in general. It might be because I grew up shooting rimfire rifles, and shooting anything rimfire today takes me back to a simpler time, before student loans and taxes. The kit includes just an amazing amount of stuff to take a regular old Buckmark and turn it into something truly special. It has a long sight radius and one of the best triggers on any gun at this price point, full stop. It's not a carry gun, it's not a home defense gun unless you have someone that is very recoil sensitive, it is purely a FUN gun that you could conceivably kill a squirrel with. We gunners need to start being honest with ourselves about what some of our guns are really for pure, unadulterated fun. It weighs about 2lbs, and most of that weight is in the barrel, which keeps the already light recoil extremely manageable.

My particular gun for this review was a Browning Buckmark URX. Here's the list If you want say, the firing pin or the extractor, but not the charging ring or the mag release, you can purchase all of this separately if you just want this or that, or already bought some of it and want to upgrade. Or if

you're like me and you have to carefully moderate your gun budget so you pick up a piece here and a piece there until you have what you want, that works too. It's fairly light and breaks smoothly enough that you could conceivably use the gun out of the box as a fun target gun, but you'll want something better for serious competition. Installation is quick and easy and consists of just a couple pins that need driving out. As always, use nylon or brass punches to avoid scratching up your finish. Personally, for this I like the textured version for the extra control, but if you don't already have calluses on your trigger finger like I do, you're going to start feeling it after a few hundred rounds. The big Halo charging ring makes the already smooth slide even easier to rack, and gives you plenty of purchase to yank on to quickly clear a malfunction. If you've ever tried to seat a flushfit mag of any type quickly, you're probably pinched something at least once. It's not fun. These base pads prevent that, but unfortunately don't add any capacity. They do add a nice bit of weight to the mag though, and the install took about 10 seconds each. I have genuinely mixed feelings about this one. On the one hand, if you have short, fat sausage fingers like me or just small hands in general it can be difficult to get your thumb to the Buckmark's mag release without dramatically changing the grip you have on the gun to get your thumb over there. Titanium is less likely to break than the OEM steel pin, and the upgraded extractor is insanely aggressive, and helps kick that spent brass out a little bit more reliably. Do you want your

22lr handgun to sound a bit louder and throatier so nobody at the range realizes you're shooting a capgun. Do you want to give yourself every advantage in an open rimfire competition. But wait, there's more. You'll also get the pleasant bonus of having a badass looking, easy to clean, well designed piece of hardware on the end of your gun. If you can't have fun and dress up your "fun guns" what's the point. You can tell they put a lot of thought and effort into not only reducing muzzle rise, but also felt recoil. The comp is threaded for 28 threads, just like basically every other rimfire thing that needs a threaded barrel. Also, if your Buckmark doesn't have a threaded barrel and you don't want to get your barrel threaded, there are a number of replacement barrels you can get. Something to note though, you're probably going to lose your front sight if you don't already have a .22 with a threaded barrel, so make sure you're ready to mount a red dot or something similar. How does my gun shoot after all this work and all these upgrades. Editor's Note It only took about half an hour to install all this, don't listen to him. Before, I was having no problem putting a full mag on an eight inch plate at 25 yards, which is already pretty solid for a .22lr handgun with cheapo ammo. That was slow firing. I also noticed a lot fewer FTE issues. In a straight up accuracy test, the gun shot about the same, maybe a little better with the red dot. What really impressed me was the lack of recoil and the improved reliability. That's just me, and that's kind of a reach for a gun like this. You're going to want some fine tuning like a refined action, maybe a better feed ramp, etc, for a truly bombproof competition gun. It reignited my love of rimfire plinking and might even get me back out to the range for rimfire competition. And as one of the great scholars of our time said " If you're not having fun, what's the freaking point!

" He has a background in the entertainment industry and currently works as one of our awesome writers in the field. Read more. I noticed your article did not mention what picatinny rail was used to mount the Vortex Venom. Please elaborate. Thanks Thanks for the information on the Buckmark, I bought a used one for Bullseye shooting. Finished 3rd, first time out. They have had it a while, and looking forward to getting it back. I think the Trigger has been upgraded on my Benchmark, but glad there are some other upgrades that are worth the time and effort to install. Thanks for the information again. You do not pay anything extra and your purchase helps support my work in bringing you more awesome gun and gear articles. It features an automatic safety making it great for less experienced shooters when under adult supervision. The spring piston sends a single .177 caliber airgun pellet out of the muzzle at 320 feet per second from its fully rifled barrel, perfect for plinking and target shooting indoors or out. The ergonomic ambidextrous grip is super comfortable giving you full control. The Buck Mark URX replica airgun features an adjustable rear sight and

fixed front blade, plus an integrated Weaverstyle rail for mounting an optic like a red dot for easier target shooting. Enjoy a funfilled day of plinking, popping paper targets, or punching holes in aluminum cans with this Browning Airgun from Umarex! It features an automatic safety making it great for less experienced shooters when under adult supervision. The spring piston sends a single.177 caliber airgun pellet out of the muzzle at 320 feet per second from its fully rifled barrel, perfect for plinking and target shooting indoors or out. The ergonomic ambidextrous grip is super comfortable giving you full control. The Buck Mark URX replica airgun features an adjustable rear sight and fixed front blade, plus an integrated Weaverstyle rail for mounting an optic like a red dot for easier target shooting.

Enjoy a funfilled day of plinking, popping paper targets, or punching holes in aluminum cans with this Browning Airgun from Umarex! I am going to throw some hi vis paint on the sights and see how it does then, and hopefully soon, the redden Ive ordered for it will arrive. I just got some more.177 caliber pellets to try in it, but the RWS Diablo basics did pretty good already. The new Crosman premier diablos have initially tightened up the groups some, but Ive only shot a couple sets, so dont want to crow too much. My one concern is durability and only time will tell how that goes. The automatic safety doesnt allow you to uncock the pistol either probably my one caveat at this point. If you want a great little pistol for an indoor range during the pandemic, this is it. Its so quiet my wife and dogs dont even hear it upstairs. It works good too finishing off chipmunks in my traps.

<http://www.drupalitalia.org/node/66912>